The image shows a close-up, low-angle view of a black rainwater downspout. The downspout is attached to a dark-colored roof with visible ridges. The downspout has a curved elbow joint and is secured to the roof with a black plastic strap. The background shows the roof's surface and a portion of a brick wall at the bottom right. The text "Original Scandinavian rainwater system" is overlaid in white at the bottom left.

Original Scandinavian rainwater system



Contents

Siba rainwater systems	3	Measuring	15-16
Siba	4-9	Gutter brackets	18-19
Materials	12	Gutters	20-23
Technical specifications	13	Angles	24
Assembly instructions	14-25	Downpipes	24-25
		Shoes	26

Siba rainwater systems

Rainwater systems not only drain storm water from the roof but they also contribute to the overall look of the building facade. Siba rainwater systems are a perfect match for all types of roofing including steel roofs, ceramic, asphalt, shingle, etc.

Siba constitutes a complete system comprising all elements required to assemble ideal storm water drainage system.

Our selection includes gutters, downpipes, gutter brackets and innovative accessories in many sizes and colours. Our product range is available in round and square variant.

Water is a fierce element; a single drop can break a rock. Siba rainwater systems are therefore made of the best materials available on the market. Our systems are made of top grade Swedish steel. We offer our standardized steel systems in nine colours.

Sophisticated and elegant solution for all types of roofs



black
~ RAL 9005



metallic graphite
~ RAL 9007



graphite
~ RAL 7024



red
~ RAL 3009



brick
~ RAL 8004



metallic silver
~ RAL 9006



chocolate brown
~ RAL 8017



dark brown
~ RAL 8019



white
~ RAL 9010

A perfect harmony of
aesthetics and functionality

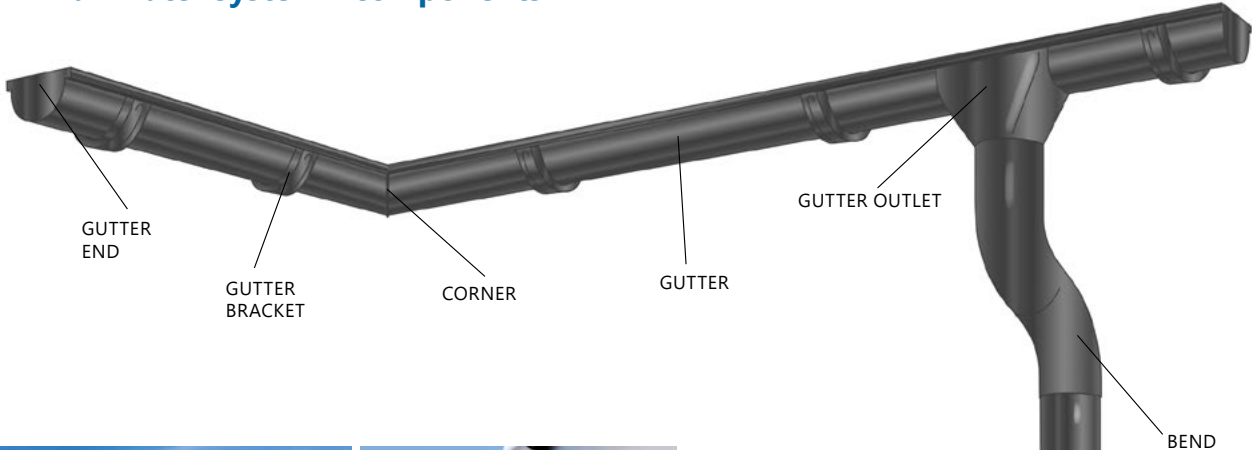


Siba

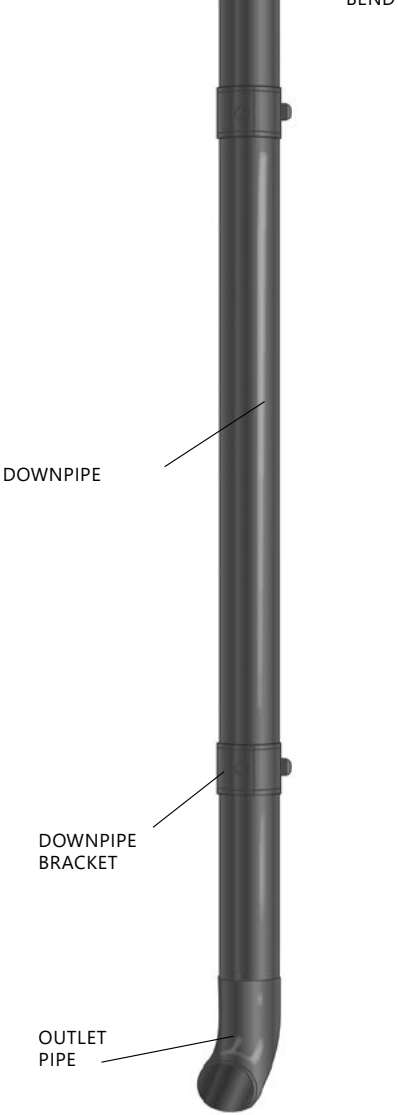
Siba rainwater systems are suitable both for family houses and for larger agricultural, industrial and commercial structures. High-quality materials ensure precise finish and long service lifetime. A wide range of colours and components allow you to create a suitable rainwater system for any roof.

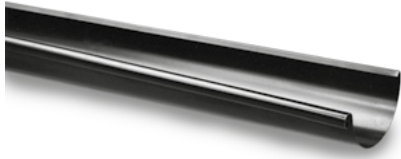


SIBA rainwater system - components

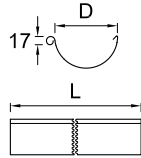
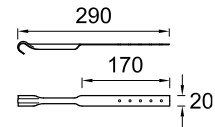
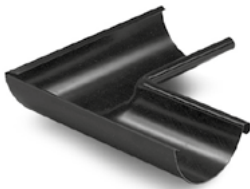


SIBA
SIBA RAINWATER SYSTEMS ARE AVAILABLE IN VARIOUS SIZES AND COLOURS.

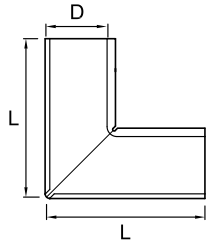


Gutter


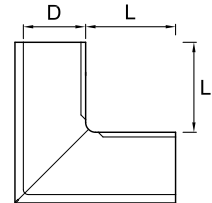
D	L
125	2000, 4000, 6000 mm
150	2000, 4000, 6000 mm


Gutter bracket

Internal corner 90°


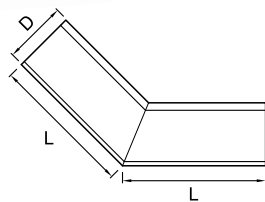
D	L
125	325
150	325


External corner 90°

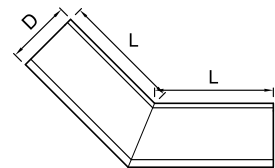

D	L
125	200
150	175


Internal corner 135°

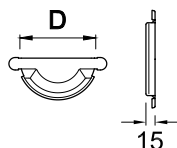

D	L
125	325
150	325


External corner 135°

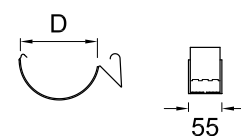

D	L
125	270
150	255


Gutter end uni


D
125
150

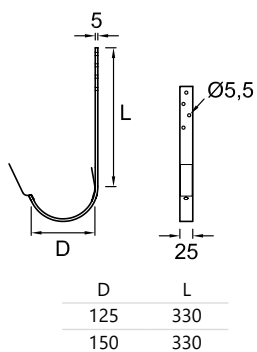

Gutter joint


D
125
150

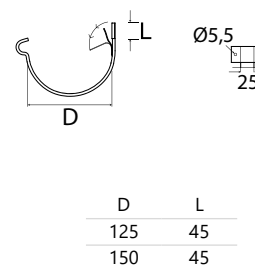


All dimensions are stated in millimetres (mm). D = diameter. L = length. V = angle.

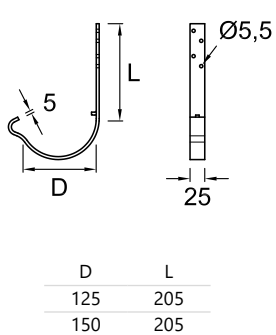
Extra Long Brackett



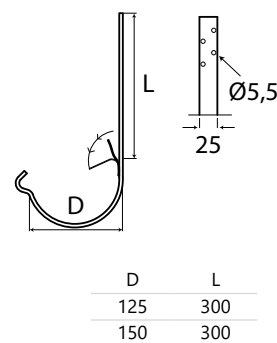
Extra short bracket



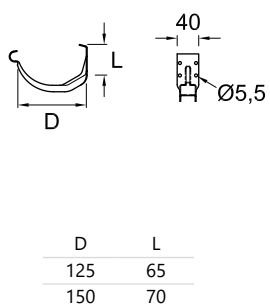
Long bracket



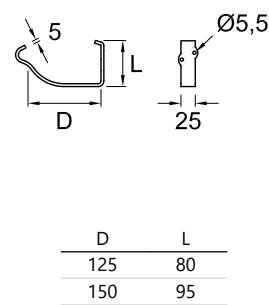
Very long bracket



Type H bracket



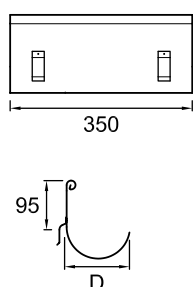
Type P bracket



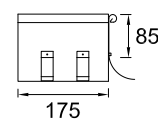
Gutter overflow protection | straight



D
125



Gutter overflow protection | corner

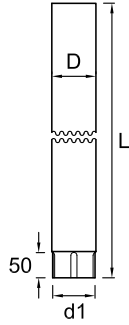


All dimensions are stated in millimetres (mm). D = diameter. L = length. V = angle.

Downpipe



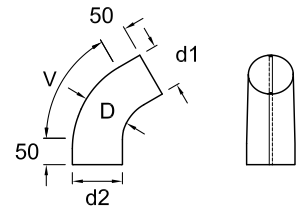
D	d1	L
90	85	1000, 3000, 4000 mm
100	98	1000, 3000, 4000 mm



Bend



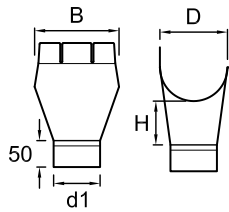
D	V	d1	d2
90	70°	85	92
100	70°	98	102



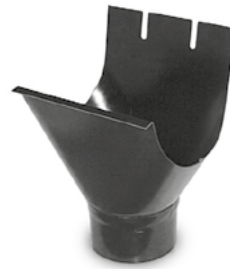
Gutter outlet 125 mm



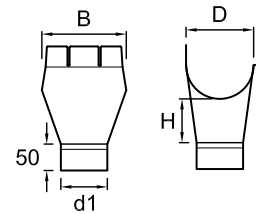
D	d1	H	B
125/90	86	80	150
125/100	96	80	150



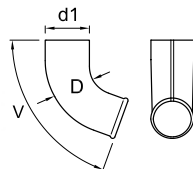
Gutter outlet 100 | 150 mm



D	d1	H	B
100/90	86	70	150
150/90	86	70	160
150/100	96	70	175

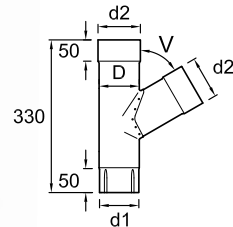


Outlet pipe



D	d1	V
90	92	70°
100	102	70°

Y-joint adjustable

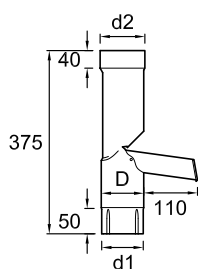


D	V	d1	d2
90	70°	85	92
100	70°	98	102

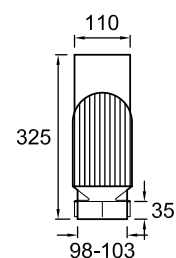
All dimensions are stated in millimetres (mm). D = diameter. L = length. V = angle.

Adjustable shoe

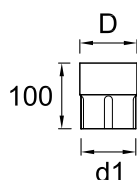

D	d1	d2
90	85	92
100	98	102


Self cleaning leaf trap

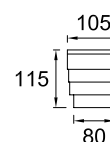
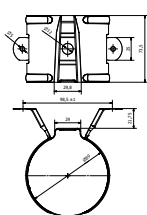

Made of PVC


Well joint piece extension

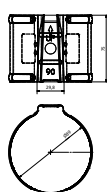

D	d1
90	85
100	98


Reduction

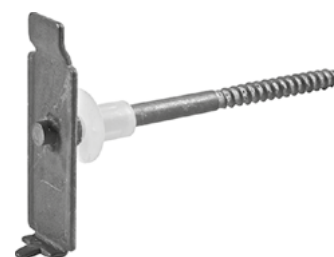

Can be used with Self cleaning leaf trap.
Made of PVC.


Downpipe bracket – wood


D
90
100

Downpipe bracket - brick wall


D
90
100

Screw stonewall


L
125
175
200
300

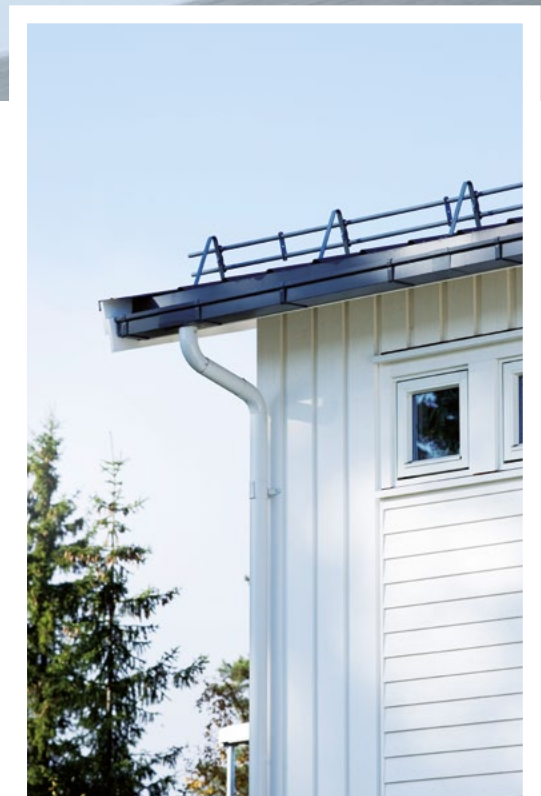
All dimensions are stated in millimetres (mm). D = diameter. L = length. V = angle.



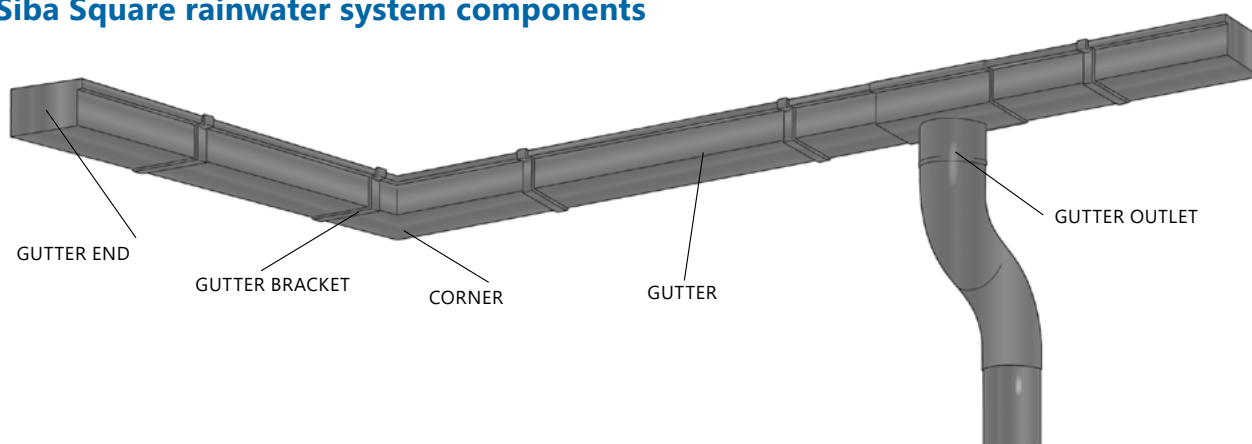
A perfect harmony of aesthetics and functionality

Siba Square

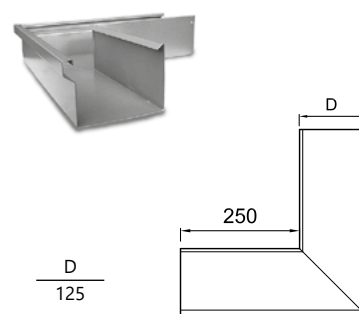
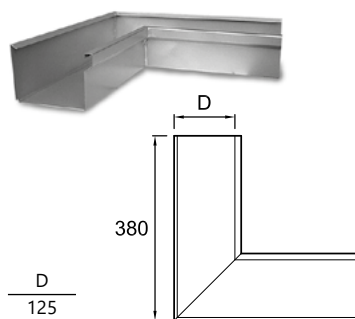
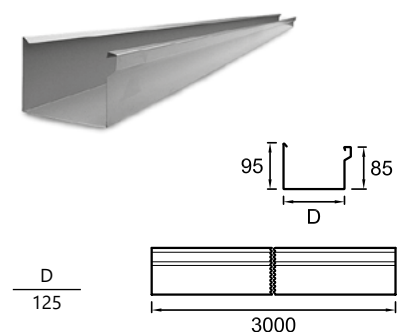
Siba Square rainwater system is an answer to the current trends in the architecture. Square-shaped rain gutters give the facade a unique look. That's why they are so popular with project engineers. Siba Square allows you to reach an interesting contrast or match the gutters to the building facade



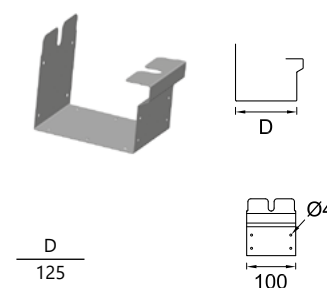
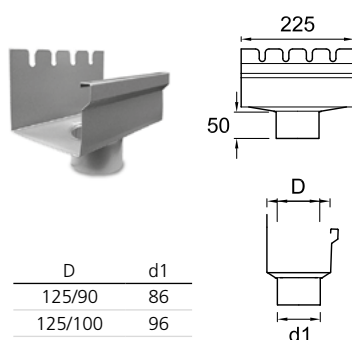
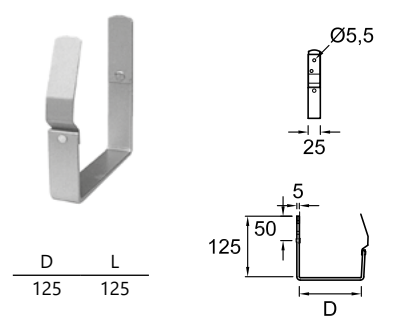
Siba Square rainwater system components



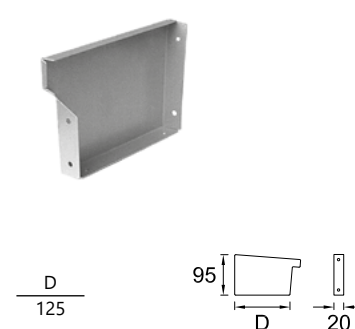
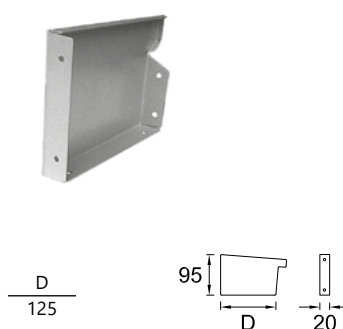
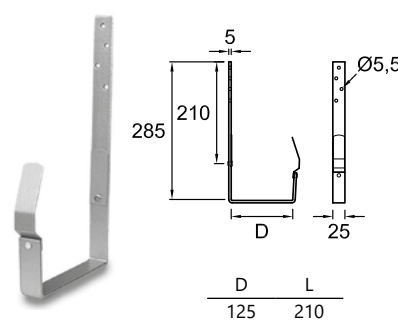
Gutter Internal corner 90° External corner 90°



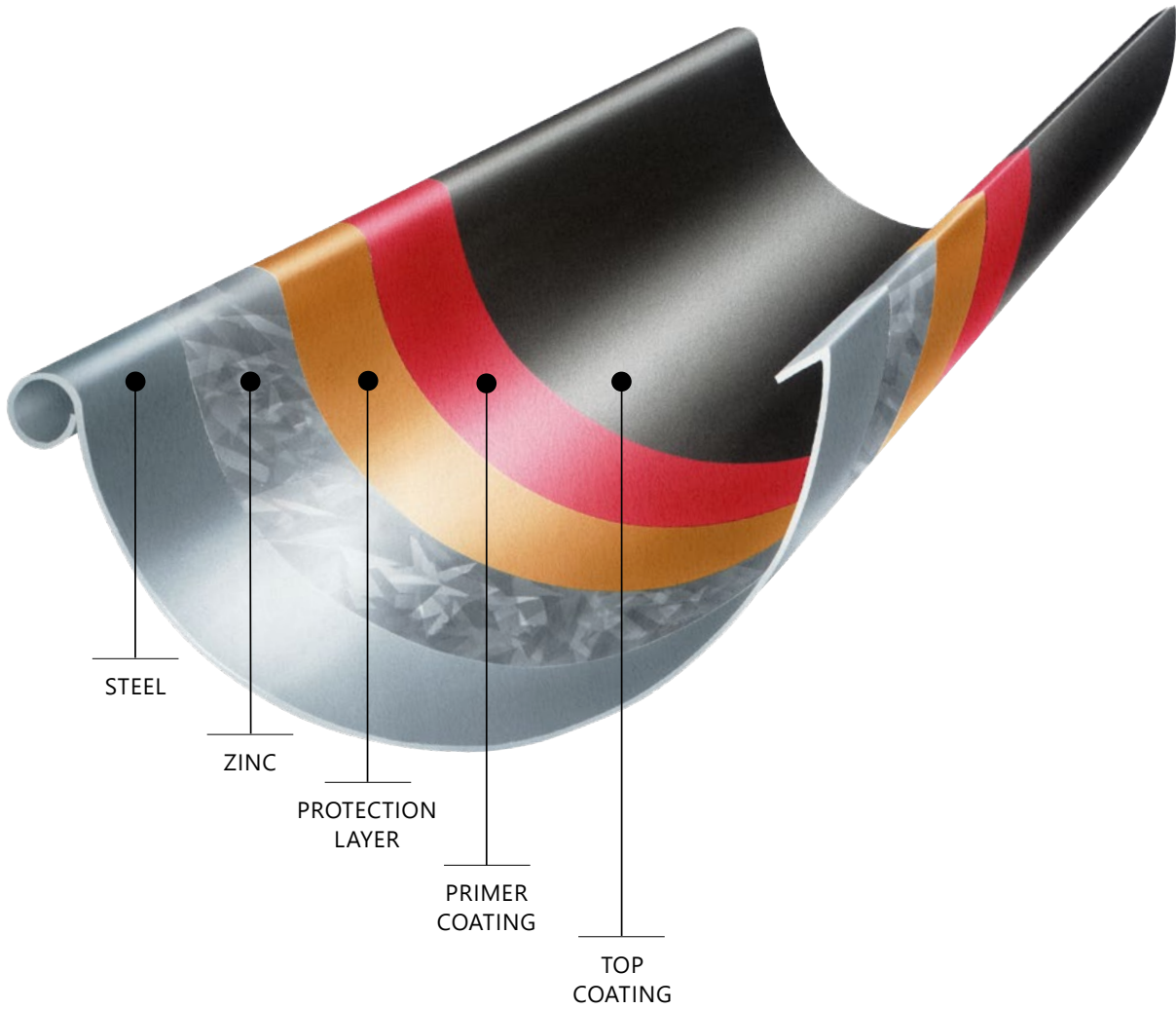
Short bracket Gutter outlet Gutter joint



Long bracket Gutter end right Gutter end left



All dimensions are stated in millimetres (mm). D = diameter. L = length. V = angle.



Maximum durability

Siba rainwater systems are made of high quality hot dip galvanized Swedish steel. In order to achieve as long usable life as possible the steel part is coated with 35µm layer of organic varnish. Thanks to state-of-the-art steel galvanizing technologies, Siba rainwater systems can boast 30-year technical warranty.

Siba rainwater systems are able to withstand demanding conditions created by rain, snow, ice or melting snow. These gutters require virtually no maintenance. All you need is to clear the gutters of leaves and dirt. Water thus flows wherever you want it flow. Day after day, year after year.

Technical specifications



Siba



Technical specifications

Gutter	2000 4000 6000 mm
Downpipe	1000 3000 4000 mm
Gutter diameter	125 150 mm
Downpipe diameter	90 100 mm
Steel thickness	0.6 mm
Gutter weight	1,1–1,4 kg/m
Downpipe weight	1,2–1,9 kg/m
Coating	GreenCoat RWS 35 µm

Siba Square



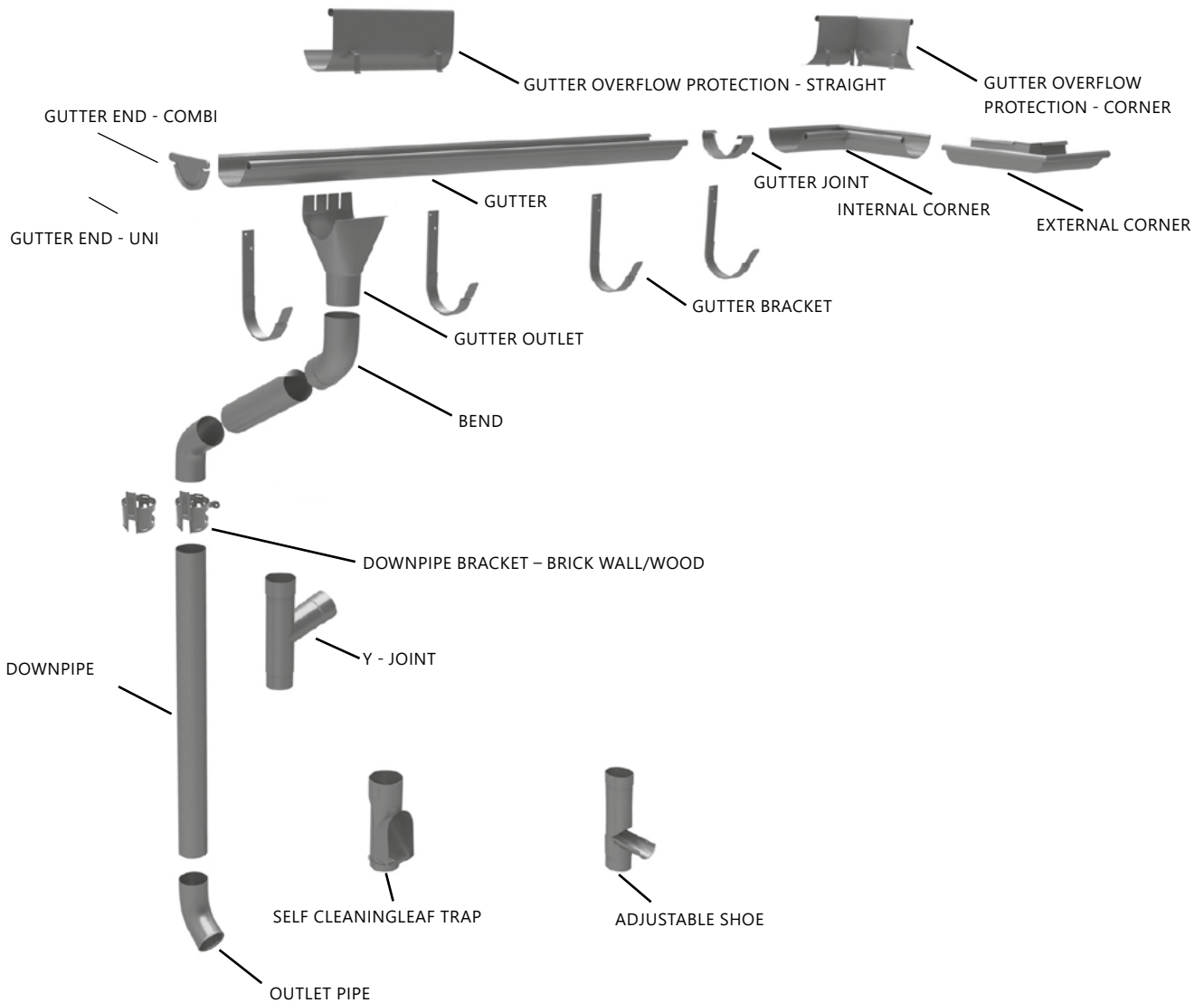
* Attention! Only the gutters of Siba Square system have a square cross-section. The downpipes are identical to those in Siba system.

Technical specifications

Gutter	3000 mm
Downpipe	1000 3000 4000 mm
Gutter diameter	125 mm
Downpipe diameter	90 100 mm
Steel thickness	0.6 mm
Gutter weight	1,7 kg/m
Downpipe weight	1,2–1,9 kg/m
Coating	GreenCoat RWS 35 µm

Assembly instructions

Siba rainwater system components



Assembly stage

- | | | |
|-----------------------|---------------------------|------------------------|
| 1. Measurement | 2. Gutter brackets | 3. Downpipes |
| 4. Corners | 5. Downpipes | 6. Outlet pipes |

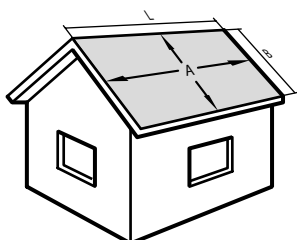
Stage 1: Measurement

Measure each roof area independently. Determine the correct dimensions of gutters and downpipes using the dimension charts.

Example: For a roof with an area of 75 m² select a 100 mm gutter and a 75 mm downpipe.

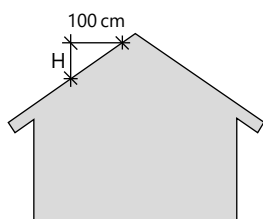
For larger roofs we deliver gutters with a diameter of 150 mm and downpipes 100 mm in diameter.

Roof area calculation



Example
L=10 m B=9 m A=90 m²

Roof slope calculation



To determine the roof slope use the table on the right.

Gutter selection*

Roof part area in m ²	> 75	>125	>200	>275
Gutter dimension	100	125	150	R125

R = right angle. * or in conformity with the local regulations.

Downpipe selection

Roof part area in m ²	> 80	>125	>180	>230	<300
Downpipe dimensions	75	90	100	110	120

Determine the H value; the roof slope can be found in the table below.

H (height in cm)	Slope	H (height in cm)	Slope
25	14°	75	37°
30	17°	70	30°
36	20°	84	40°
40	22°	90	42°
45	24°	100	45°
49	26°	104	46°
53	28°	111	48°
58	30°	119	48°
62	32°	133	53°
67	34°	143	55°
73	36°	173	60°



ASSEMBLY SCREWS AND RIVETS

The gutter brackets must be fixed with 4,8 x 35 mm stainless steel screws.



Rivet
4,0 mm

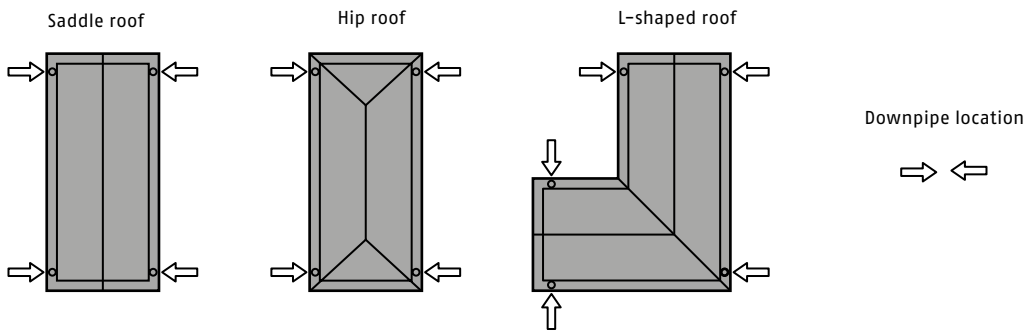
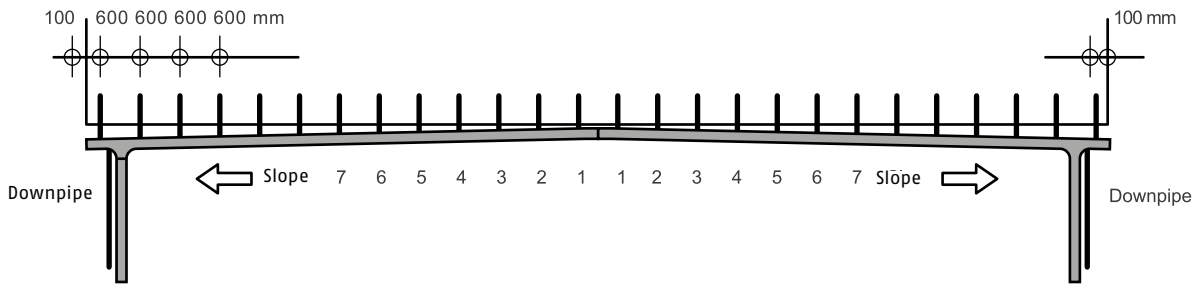
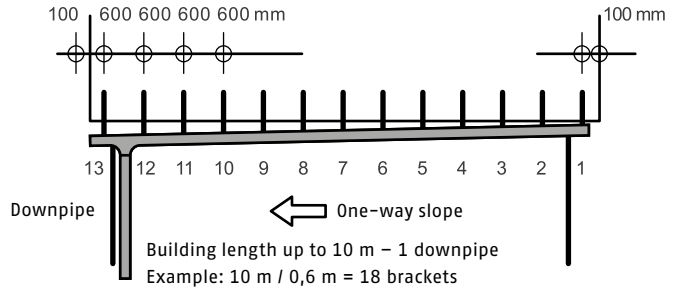


Screw
4,8 x 35 mm

Bracket and downpipe layout

Gutters up to 10 m require a single downpipe only. The brackets should be spaced as shown in the picture – marked 1, 2, 3, etc. Fix the first and last bracket 10 cm of the edge of the roof.

If the roof is wider than 10 m, two downpipes are required. The brackets should be spaced as shown in the picture below – marked 1, 2, 3, etc. Install both brackets no. 1 some 30 cm of the centre of the roof and the last brackets should be 10 cm of the edge of the roof. Type P and H DCC brackets and very short brackets should be fixed directly in the fascia. If the fascia is sloped, use the long or very long brackets and bend them accordingly.



Downpipe location

There must be a downpipe installed for every 10m of the gutter. Hip roof houses must always have two downpipes on the longer sides and the gutters must be 125 mm in diam-

eter. In the case of L-shaped houses, the downpipes must be placed according to the drawing above. The gutters used must be in conformity with the roof cover

SAFETY WARNING



General warning

Before you start assembling the roof, read the user manual carefully and make sure that all work is safe and in conformity with the given regulations



Personal protection equipment

When on the roof it is necessary to use the suitable aids, e.g. safety harnesses and other personal protection items.



Number of people

Siba rain gutter system installation is easy and all the required steps can be done by a single qualified person only. Lifting long parts, e.g. gutters, requires two people, though – one at each end of the gutter.



Tools

In most cases standard tools are sufficient to assemble the rain gutter system. When working at heights, it is necessary to use a special hoisting device. Prepare all necessary equipment before starting the assembly and installation.



Transport, lifting and carrying

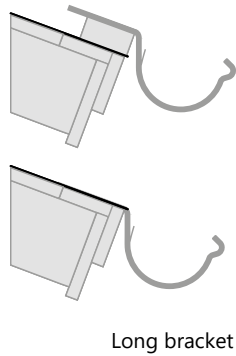
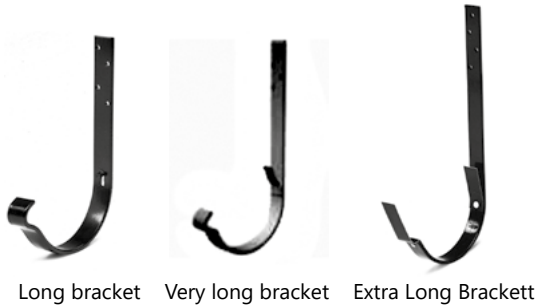
The products have to be stored in enclosed premises. When lifting and carrying the individual parts take due care to avoid damage to health or property.

Stage 2: Gutter brackets

Bracket types

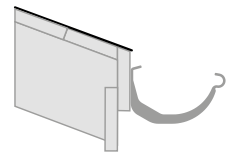
Long bracket

Brackets of this type have to be bent on spot based on the slope of the roof. The brackets shall be screwed to the planks.



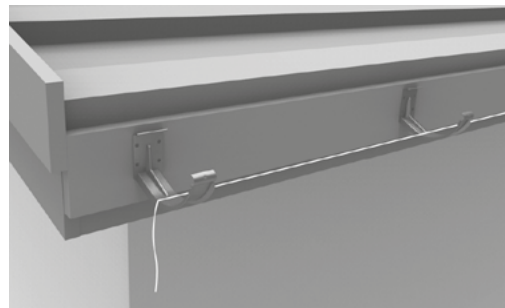
Short bracket

Short brackets should be screwed into the fascia.



Fascia (or rafter) brackets

Fix the first and last bracket so that there is a slope of at least 5 mm per one meter. Stretch an alignment wire between these two brackets and install the remaining brackets based on this line. The brackets should be screwed directly into the fascia (or rafter front).



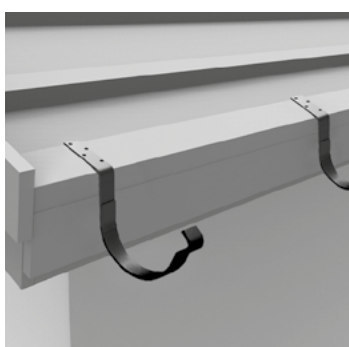
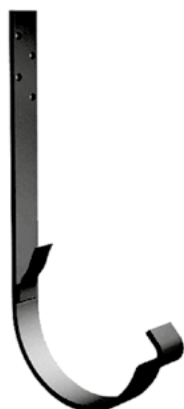
The picture shows fixing of Type H DDC brackets into the fascia. The same procedure applies to all brackets fixed into the fascia.

Long brackets

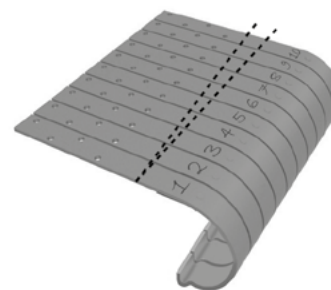
The brackets must be bent to ensure that the bracket has a correct slope after mounting. Lay the brackets alongside each other and mark 1 the main line as shown in Fig. 1.

The slope of the gutter shall be about 5 mm per 1 m of length. Number the brackets and mark the place of bending.

Draw another line above the main line as shown in Fig. 2. Use the bender to bend the hooks and fix them to the roof through the screw holes.



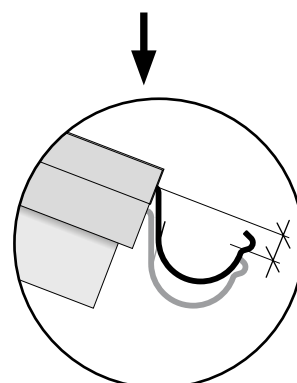
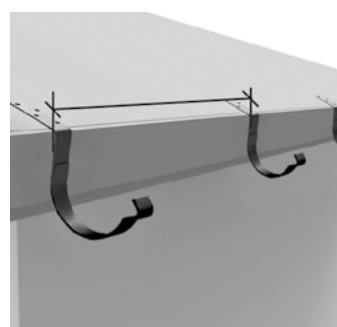
1



2



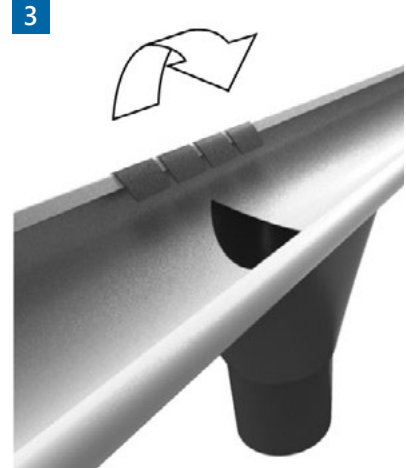
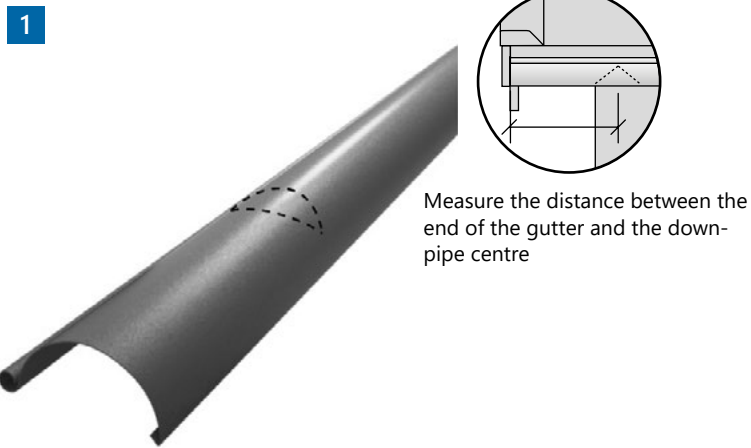
3



Stage 3: Downpipes

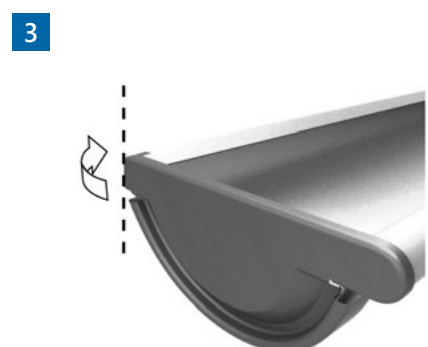
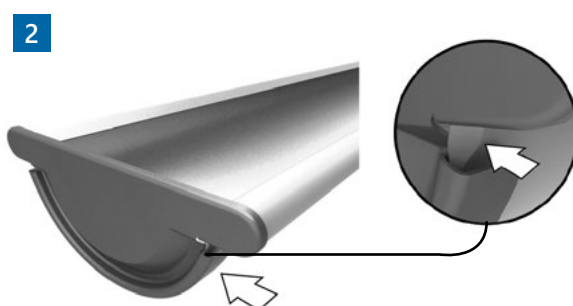
Gutter outlet

First mark the place where the gutter outlet should be installed. Make two angled cuts in order to make a 10 cm opening. Bend the edges of the hole downwards to ease the water drain. Put the bent edge of the gutter outlet on the bead stiffened front and then bend the metal plates over its back side. The bent part of the gutter must be located on the external side. Do not cut the gutter with tools causing high temperatures (e.g. angle cutter).



Universal gutter stop end

Universal stop ends should be attached at the end of the gutter. Means of fixing the stop end is shown in the picture. When in place, bend the protruding flap.

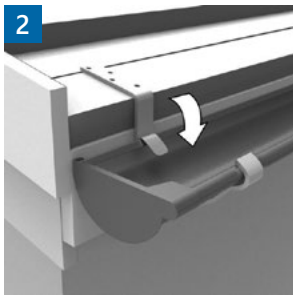
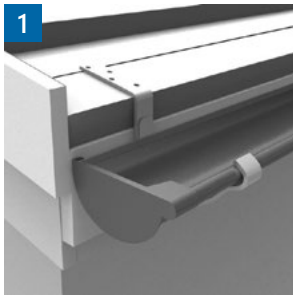


Putting the gutters in the brackets

There are two options of mounting a gutter based on the distance between the brackets

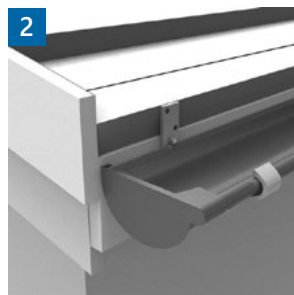
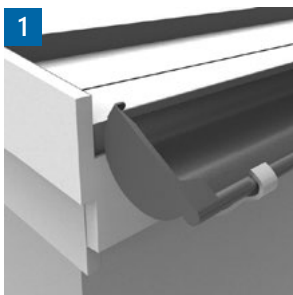
A – brackets with a plate

Lay the front part of the gutter on the front edge of the brackets and then tilt it. Press thoroughly. Press the gutter downwards and secure it with the plates.



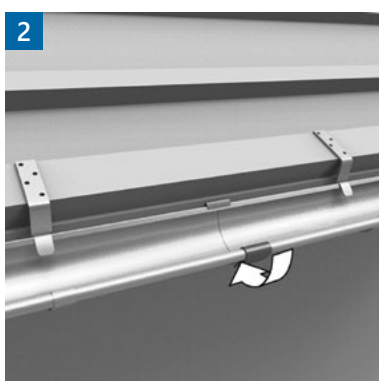
B – self-locking brackets

When using self-locking brackets (long bracket, Type P DCC and Type H DCC brackets) just lay the front edge of the gutter on the front end of the brackets and then press the gutter downwards. The gutter locks in its place and stays there.



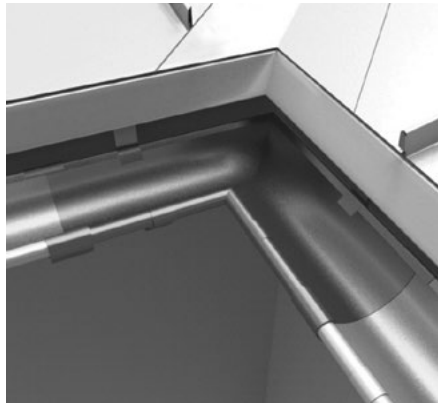
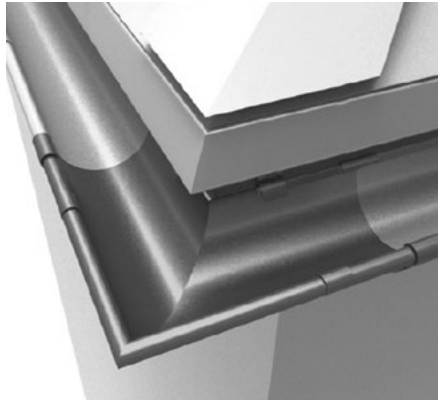
Joining two gutters together

Gutters can be joined together using gutter joints. First place the ends of the gutters you want to join against each other. Then put the joint to from the rear side of the gutter and secure with a flap



Stage 4: Corners

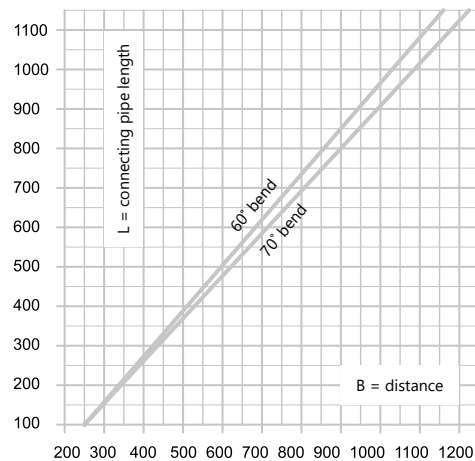
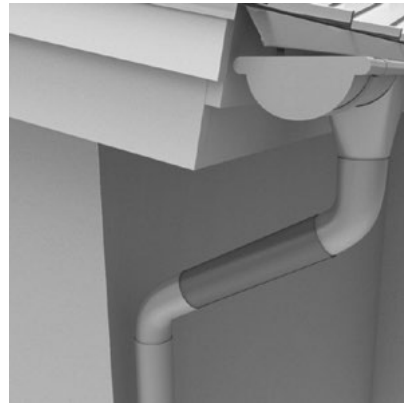
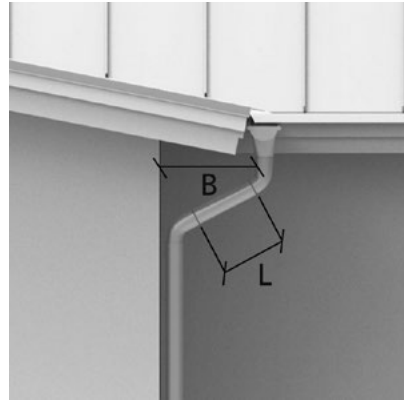
There are external and internal corners. First lay the corners on the brackets and then finalize the installation with joint pieces.



Stage 5: Downpipes

Joining the downpipe to the gutter

Using the table below define the downpipe length (L) and distance between the gutter outlet and the wall (B).



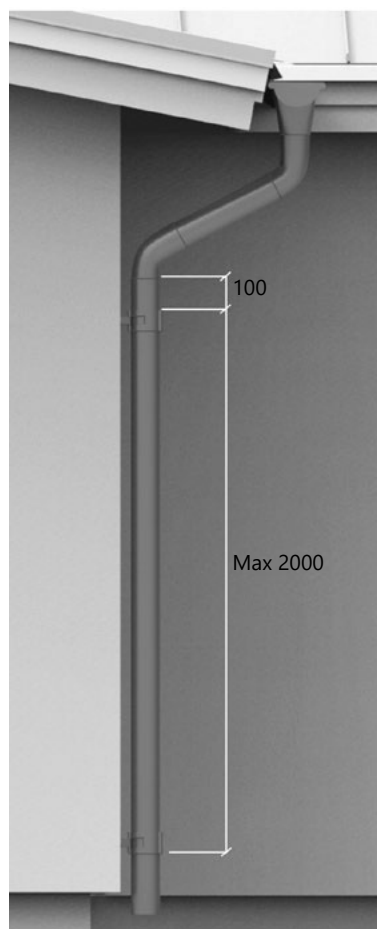
Downpipe bracket with an eccentric lock

The brackets differ in whether they are intended for installation in brick or wooden walls. First, drill a hole for the wall plugs. Fix the bracket 10 cm below the lower bend. The distance between the bracket must not exceed 2 m. Connect the downpipe to the gutter outlet and check whether it is vertical. If needed, shorten the downpipe.

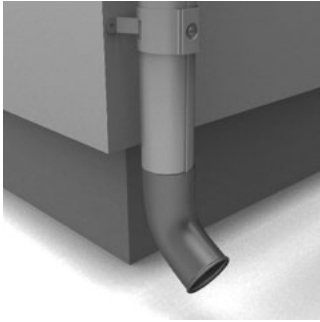


Brackets for wooden walls should be screwed directly into the wall.

Brackets for brick walls are mounted using a mandrel fixed with a wall plug. The downpipes are inserted into the brackets first and then secured with a locking plate. To lock the bracket, slide the locking plate down. If you need to remove the downpipe, unlock the bracket by turning the lock anti-clockwise. Then release it by sliding the plate up.

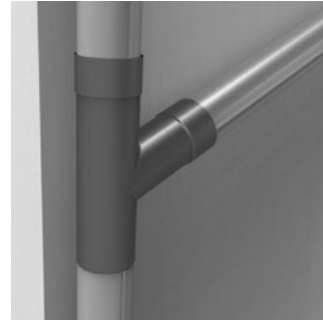


Stage 6: Outlet pipe



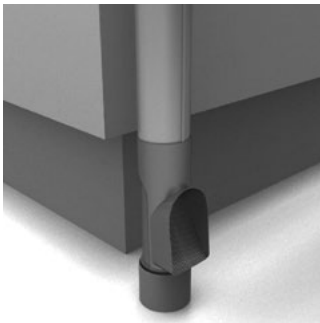
Outlet pipe

The outlet pipe is used when the downpipe is not connected to a storm water sewer.



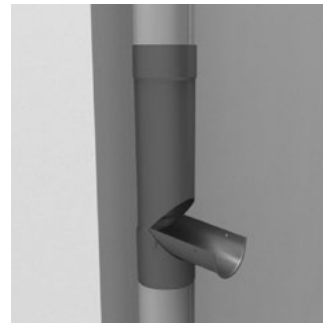
Y-joint adjustable

The Y-joint adjustable piece is used to connect two downpipes together. Connection pieces with the same openings are produced.



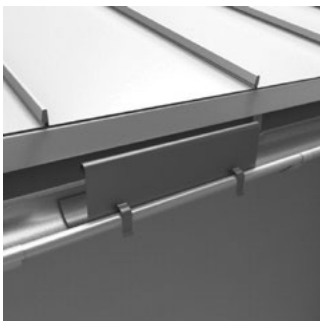
Self cleaning leaf trap

The Self cleaning leaf trap prevents the downpipe from getting clogged with leaves and needles. It allows you to access the downpipe. This part is installed between the downpipe and storm water sewer system.



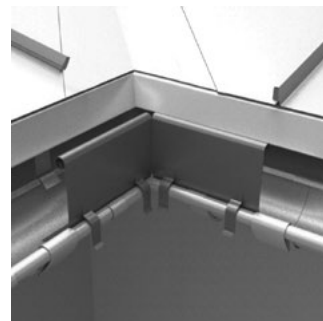
Adjustable shoe

Adjustable shoe is installed in the downpipe. It is used to connect the downpipe to a rainwater collection system, e.g. for watering the plants.



Gutter overflow protection - straight

Gutter overflow protection prevents the water from flowing over the edge of the gutter. The protections are used on steep roofs with long slope. They are fixed directly to the gutters.



Gutter overflow protection - corner

This protection is used to prevent the gutters from overflowing in the internal corners of the roofs.





Ruukki Construction, Panuntie 11, FI-00620 Helsinki, Finland
Tel.: +358 20 5911 www.ruukkiroofs.com

Copyright © 2021 Ruukki Construction. All rights reserved. Ruukki and Ruukki's product names are trademarks or registered trademarks of Ruukki Construction, a subsidiary of SSAB.